



VIPSeal®

Designed to perform, engineered to last



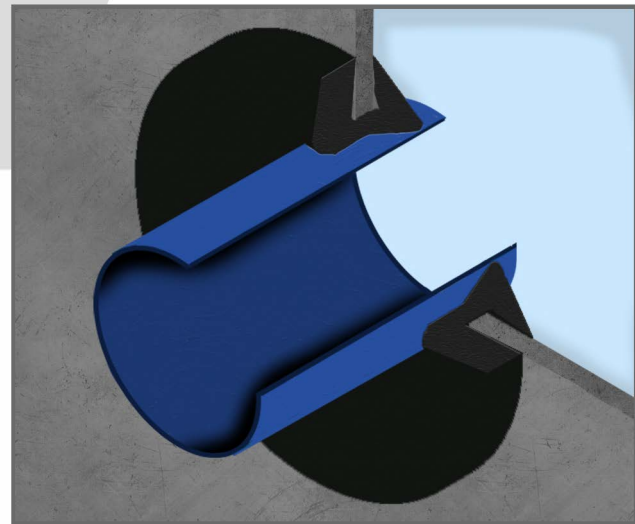
VWS-570

Flexible Connection Seal for Pipes to Thin Walled Tanks & Pipes



Key Features.

- *Ideal solution for connecting to thin walled tanks and pipes.*
- *Simple and easy to use with either prefabricated or drilled holes.*
- *Excellent angular deflection possibilities.*



Seal Design & Function

The VWS-570 is a single lip seal, used for connecting PVC pipes to thin walled PVC, PE or metallic tanks and pipes.

The VWS-570 fits around the inside diameter of the access hole.

The design of the seal provides excellent sealing performance & significant angular deflection possibilities.

VWS-570 Data

Joint Assembly

- Chamfer the edge of the connecting pipe.
- Clean the seal.
- Lubricate the edge of the connecting pipe.
- Centre the end of the pipe & push into the seal.

Seal Marking & Box Labels

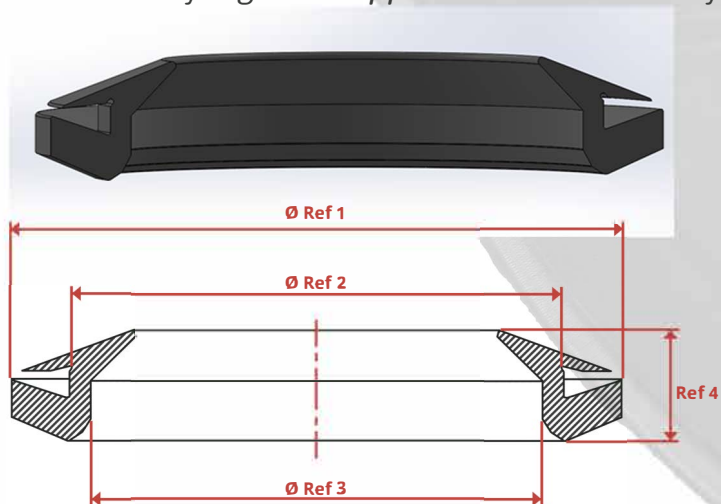
Each seal is marked with the outside dia.
Packaging will have corresponding data on the labelling.

Available Dimensions (mm)

From $\varnothing 110$ to $\varnothing 200$ mm

Dia. External Connecting Pipe	Product Code	Material	Dia. Hole (± 0.5)	Wall Thickness (Approx.)
DN100	VWS570-100	EPDM	110	3-10
	VWS570-100N	NBR		
DN110	VWS570-110	EPDM	117	
	VWS570-110N	NBR		
DN125	VWS570-125	EPDM	132	5-10
	VWS570-125N	NBR		
DN160	VWS570-160	EPDM	170	
DN200	VWS570-200	EPDM	205	

* EPDM used for general applications * NBR used for Hydrocarbon applications



VWS570				
Product Code	ØRef 1 (mm)	ØRef 2 (mm)	ØRef 3 (mm)	Ref 4 (mm)
DN100	141	111	101	28
DN110	151	122	112	28
DN125	165	137	127	28
DN160	203	173	173	30
DN200	236	208	200	30

Material

- Synthetic rubber
- Hardness 50 \pm 5 IRHD

Approval

- EN 681-1

Pipe connections with VWS-570 shall always be laid in accordance with applicable standards and regulations. Contact VIP-Polymers Ltd for technical advice and recommendations to meet your performance requirements.

QUALITY ASSURED ISO 9001 EN 681-1