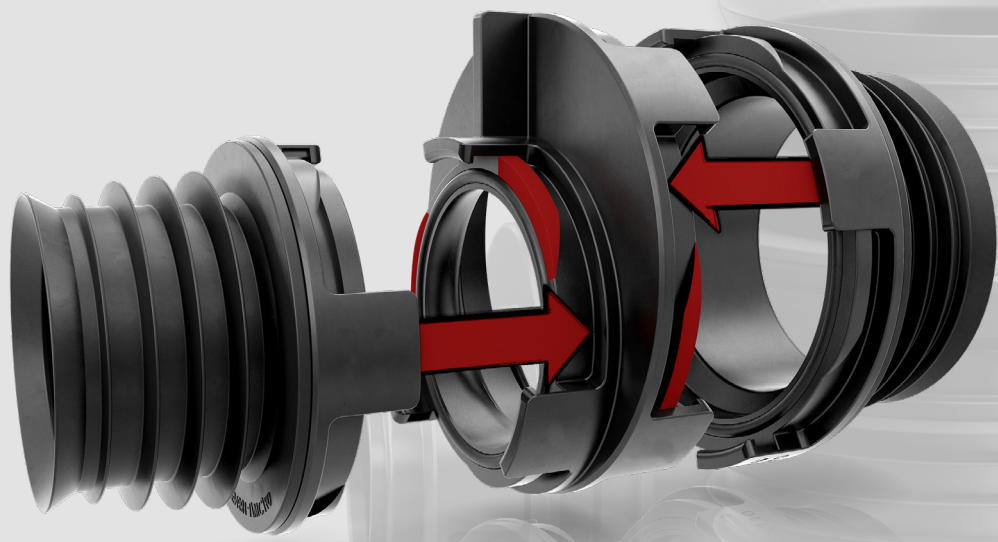




IN-X Internal Coupling and Adaptor system.

Available in DN50/75/90/100/150.

- Internal Couplings
- Plug Connectors
- Socket Connectors
- Spigot Connectors
- Reducer Connectors
- Transition Connectors
- End Caps



The IN-X is a push fit internal connection designed to work in situations where a standard external coupling can't be used or in instances when little or non of the external wall of the pipe is visible.

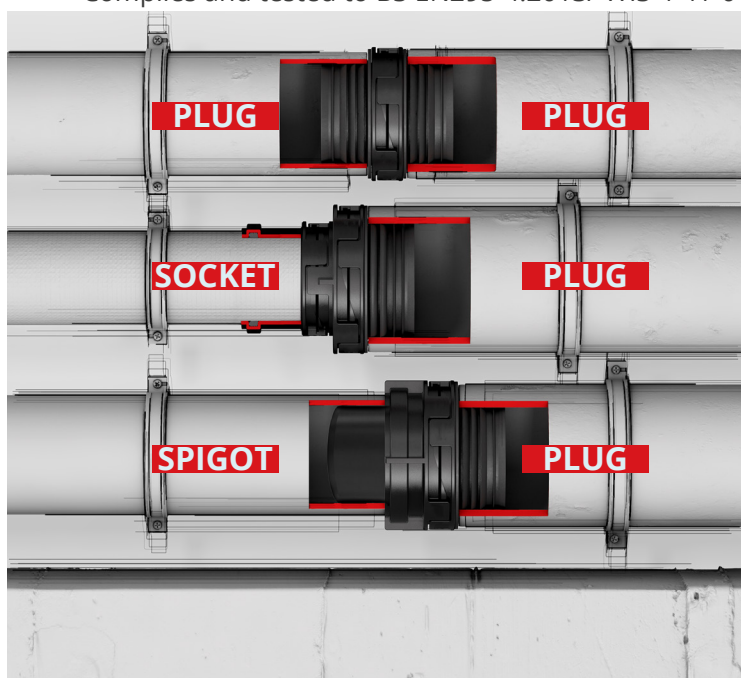
The IN-X fits directly inside the pipe and due to its unique internal plastic shell and infill ring* as well as the beveled rubber seal design, there is minimal resistance to the flow inside the pipe.

Once installed a range of adaptors, couplings, reducers or end caps can be twist locked onto each other to offer a range of solutions for almost any application. Alternatively two plug connectors and an infill ring can be used to create an Internal x Internal coupling to be used in instances where there has been damage to a pipe with little or no material to use an external coupling or for connecting two pipes of differing materials with similar/same internal diameters.

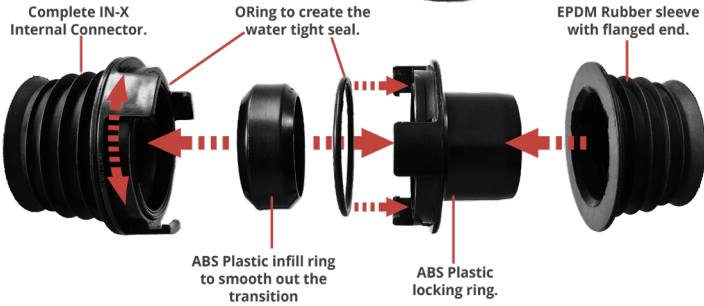
**the infill ring is used only with the internal coupling kits, this is removed when connecting a plug to any other connector.*

Key Benefits:

- Watertight connection to internal pipe dimensions of multi pipe materials, e.g plastic, clay, cast iron.
- Ideal for pipes sheared in concrete or concrete slabs where an external coupling cannot be used.
- Quick installation.
- Range offers multiple adaptations with its unique "twist lock" connectors.
- NO tools required.
- Able to re-use after initial installation.
- Suitable for horizontal or vertical applications, both above or below ground.
- Smoother transition between pipe inverts.
- Tested to resistance of up to 2.5 bar internal pressure.
- Complies and tested to BS EN295-4:2013/ WIS 4-41-01/ BS EN1401-1:2019/ BS EN1451-1:2017/



IN-X Internal Coupling



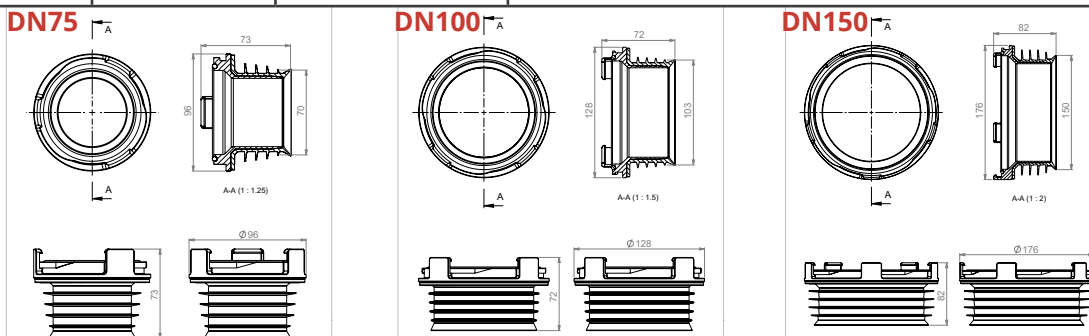
Product Code	INXDNxxxINT
Description	VIPSeal IN-X Internal Coupling
Size Range	Ø67-154mm
Material	PP Plastic EPDM Rubber
Pressure Rating	2.5bar
Jetting Resistance	230bar
Temperature Range	-50°C to 80°C constant, 100°C intermittent
Tested to Standards	BS EN295-4:2013/ WIS 4-41-01/ BS EN1401-1:2019/ BS EN1451-1:2017/ BS EN681-1:1996

IN-X Internal Coupling

Product Code	Size (mm)	Nominal Dia. (mm)	Description
1020831	DN75	Ø67-73	IN-X internal coupling kit (2 DN75 plug connectors) with Infill Ring and Safe Click locking tool.
1020828	DN100	Ø100-106	IN-X internal coupling kit (2 DN100 plug connectors) with Infill Ring and Safe Click locking tool.
1020816	DN150	Ø147-154	IN-X internal coupling kit (2 DN150 plug connectors) with Infill Ring and Safe Click locking tool.

IN-X Plug Connector

Product Code	Size (mm)	Nominal Dia. (mm)	Description
1020835	DN75	Ø67-73	IN-X Plug Connector DN75
1020827	DN100	Ø100-106	IN-X Plug Connector DN100
1020826	DN100/95	Ø93-99	IN-X Plug Connector DN100/95
1020820	DN150	Ø147-154	IN-X Plug Connector DN150
1020815	DN150/100	Ø100-154	IN-X Plug Connector DN150/100



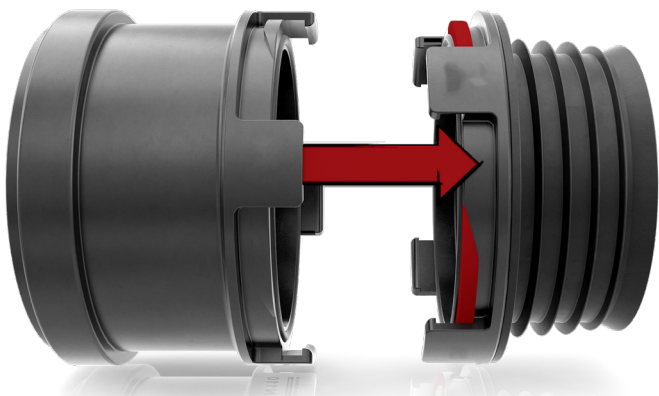
IN-X Socket



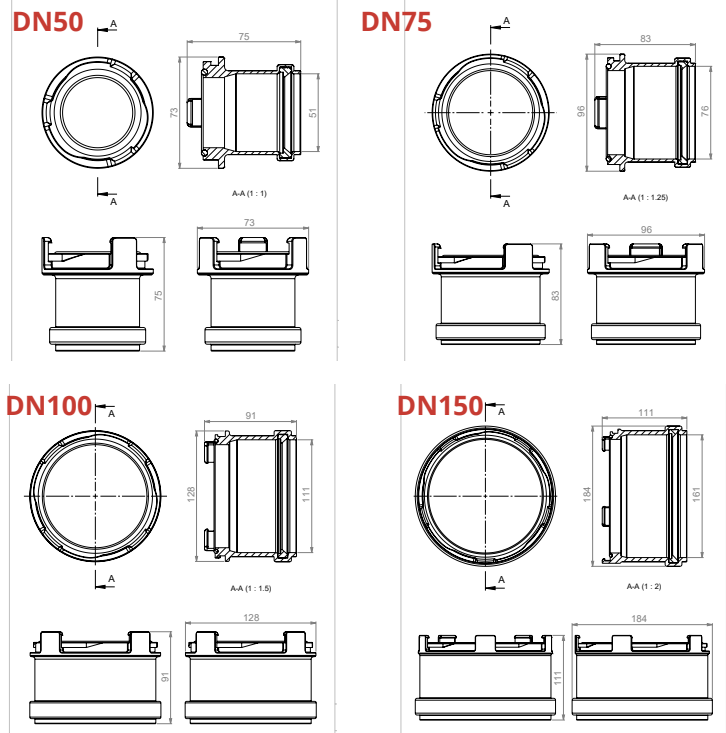
Product Code	INXDNxxxSOC
Description	VIPSeal IN-X Socket
Size Range	Ø50-150mm
Material	PP Plastic EPDM Rubber
Pressure Rating	2.5bar
Jetting Resistance	230bar
Temperature Range	-50°C to 80°C constant, 100°C intermittent
Tested to Standards	BS EN295-4:2013/ WIS 4-41-01/ BS EN1401-1:2019/ BS EN1451-1:2017/ BS EN681-1:1996

IN-X Socket

Product Code	Size (mm)	Nominal Dia. (mm)	Description
1020840	DN50	Ø50	IN-X Socket Connector DN50
1020837	DN75	Ø75	IN-X Socket Connector DN75
1020830	DN100	Ø100	IN-X Socket Connector DN100
1020822	DN150	Ø150	IN-X Socket Connector DN150



Socket to Plug example, Socket/Transition, Socket/Socket, Socket/Spigot, Socket/End Cap, Socket/Reducer variations can also be made depending on application requirements.



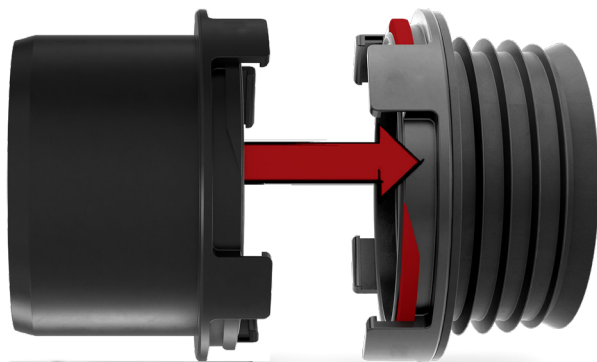
IN-X Spigot



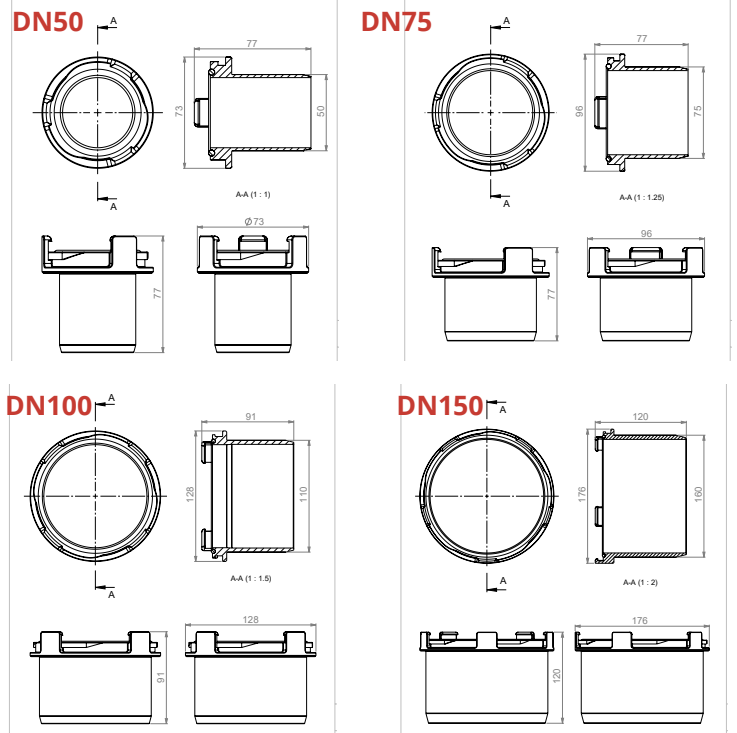
Product Code	INXDNxxxSPI
Description	VIPSeal IN-X Spigot
Size Range	Ø50-160mm
Material	PP Plastic EPDM Rubber
Pressure Rating	2.5bar
Jetting Resistance	230bar
Temperature Range	-50°C to 80°C constant, 100°C intermittent
Tested to Standards	BS EN295-4:2013/ WIS 4-41-01/ BS EN1401-1:2019/ BS EN1451-1:2017/ BS EN681-1:1996

IN-X Spigot

Product Code	Size (mm)	Nominal Dia. (mm)	Description
1020839	DN50	Ø50	IN-X Spigot Connector DN50
1020836	DN75	Ø75	IN-X Spigot Connector DN75
1020829	DN100	Ø110	IN-X Spigot Connector DN100
1020821	DN150	Ø160	IN-X Spigot Connector DN150



Spigot to Plug example, Spigot/Transition, Spigot/Socket, Spigot/Spigot, Spigot/End Cap, Spigot/Reducer variations can also be made depending on application requirements.



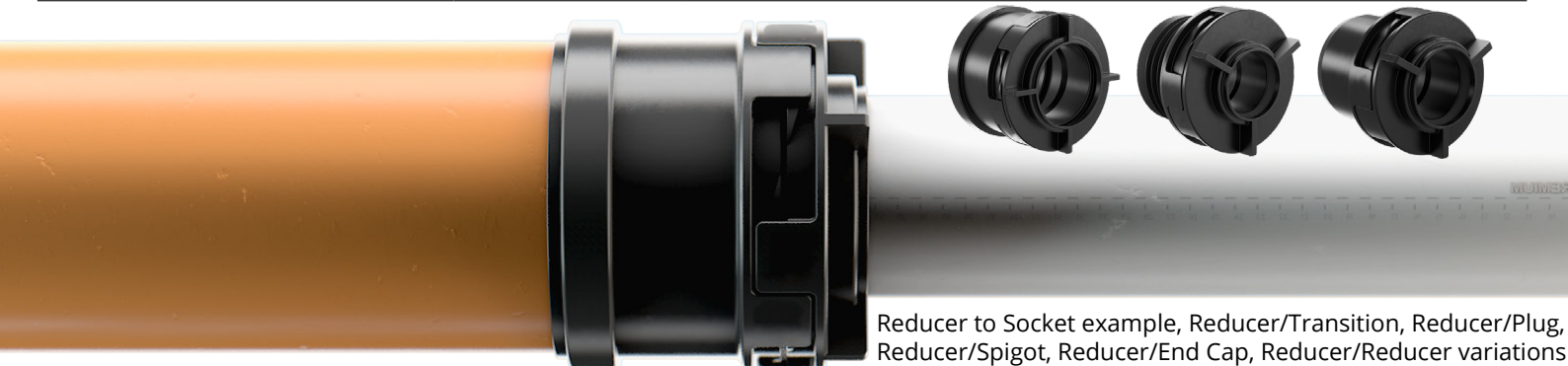
IN-X Reducer



Product Code	INXDNxxxRED
Description	VIPSeal IN-X Reducer
Size Range	Ø50-160mm
Material	PP Plastic EPDM Rubber
Pressure Rating	2.5bar
Jetting Resistance	230bar
Temperature Range	-50°C to 80°C constant, 100°C intermittent
Tested to Standards	BS EN295-4:2013/ WIS 4-41-01/ BS EN1401-1:2019/ BS EN1451-1:2017/ BS EN681-1:1996

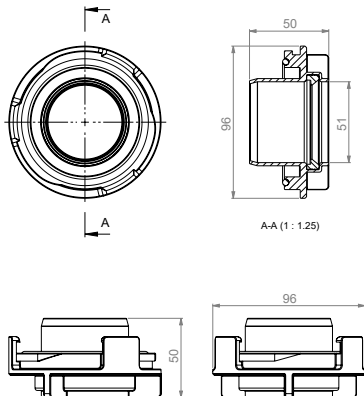
IN-X Reducer

Product Code	Size (mm)	Nominal Dia. (mm)	Description
1020833	DN75/50	Ø75-50	IN-X Reducer Connector DN75/50
1020824	DN100/75	Ø110-75	IN-X Reducer Connector DN100/75
1020818	DN150/100	Ø160-110	IN-X Reducer Connector DN150/100

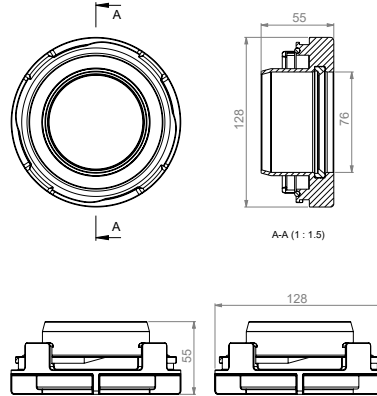


Reducer to Socket example, Reducer/Transition, Reducer/Plug, Reducer/Spigot, Reducer/End Cap, Reducer/Reducer variations can also be made depending on application requirements.

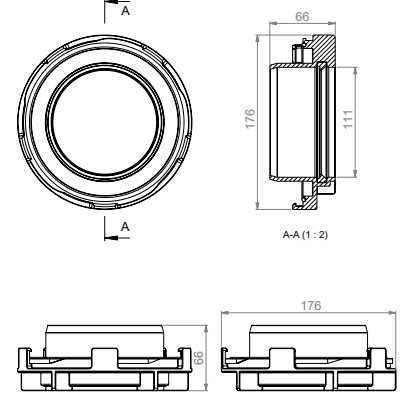
DN75/50



DN100/75



DN150/100



IN-X Transition



Product Code	INXDNxxxTRA
Description	VIPSeal IN-X Transition
Size Range	Ø50-160mm
Material	PP Plastic EPDM Rubber
Pressure Rating	2.5bar
Jetting Resistance	230bar
Temperature Range	-50°C to 80°C constant, 100°C intermittent
Tested to Standards	BS EN295-4:2013/ WIS 4-41-01/ BS EN1401-1:2019/ BS EN1451-1:2017/ BS EN681-1:1996

IN-X Transition

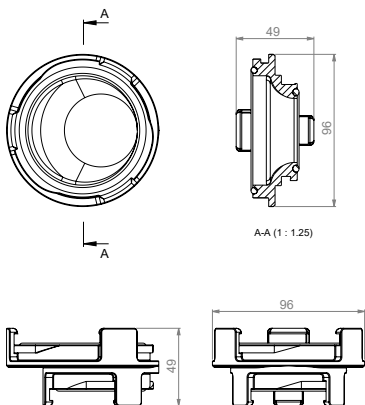
Product Code	Size (mm)	Nominal Dia. (mm)	Description
1020832	DN75/50	Ø75-50	IN-X Transition Connector DN75/50
1020823	DN100/75	Ø110-75	IN-X Transition Connector DN100/75
1020817	DN150/100	Ø160-110	IN-X Transition Connector DN150/100



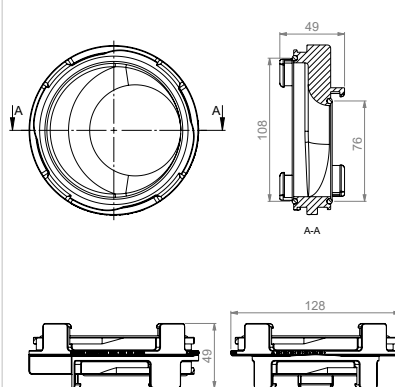
Transition to Plug example pictured left, Transition/Plug/reducer pictured right, Transition/Spigot, Transition/End Cap, Transition/Reducer variations can also be made depending on application requirements.



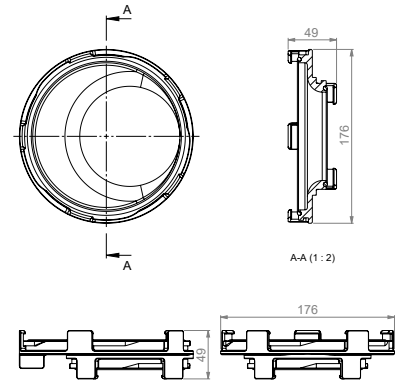
DN75/50



DN100/75



DN150/100



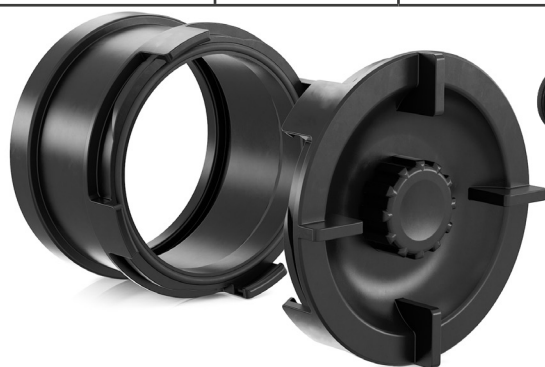
IN-X End Cap



Product Code	INXDNxxxEND
Description	VIPSeal IN-X End Cap
Size Range	Ø50-160mm
Material	PP Plastic EPDM Rubber
Pressure Rating	2.5bar
Jetting Resistance	230bar
Temperature Range	-50°C to 80°C constant, 100°C intermittent
Tested to Standards	BS EN295-4:2013/ WIS 4-41-01/ BS EN1401-1:2019/ BS EN1451-1:2017/ BS EN681-1:1996

IN-X End Cap

Product Code	Size (mm)	Nominal Dia. (mm)	Description
1020838	DN50	Ø50	IN-X End Cap DN50
1020834	DN75	Ø75	IN-X End Cap DN75
1020825	DN100	Ø110	IN-X End Cap DN100
1020819	DN150	Ø160	IN-X End Cap DN150



End Cap to Socket example picture left. End Cap to Plug picture right. End Cap/Socket, End Cap/Spigot, End Cap/Transition, End Cap/Reducer variations can also be made depending on application requirements.

